

MR16 LED

LED LAMPS



The **MR16 LED** is a range of new LED lamps designed for recessed installations. MR16 LED models feature various sets of LEDs tailored for different applications, coupled with dedicated lenses that give a very high light efficiency and a uniform light beam. Three optical units that can be easily interchanged by users are available for each model, offering different light beam projection angles (Spot, Medium flood, Wide flood). Light emission is spread uniformly with good homogeneity of surface coverage.

Set-up and connection of units to the dedicated Z1 or Z4 power supply / LED controllers is fast and easy, thanks to a special T-BOX RJ12 connection system. All MR16 LED lamps can be used in combination with a dedicated adjustable round flange, available in 9 colours.

MR16 LED is available in 3 versions, depending on the type of LEDs employed:

MR16 LED FULL COLOUR (Full colour LEDs);

MR16 LED RGB (red / green / blue LEDs);

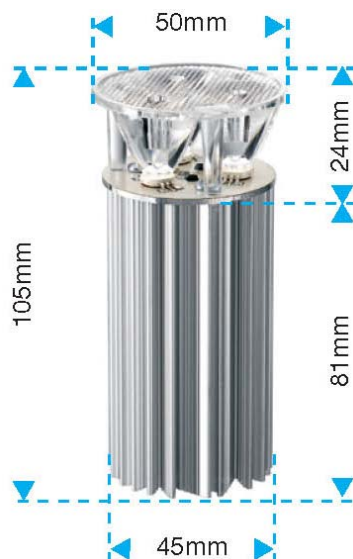
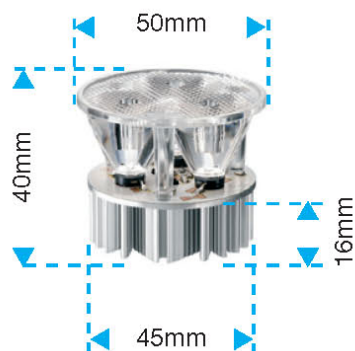
MR16 LED WHITE (available in 4 distinct models with white / amber LEDs or white LEDs, featuring different colour temperatures).



The Lighting Company



● **MR16 LED LED LAMPS**



Z4 power supply LED controller



Z1 power supply LED controller



Wall controller



IR remote control

Adjustable round flanges



Technical Specifications

LED technology

MR16 LED FULL COLOUR: 3 x 3W Full colour LEDs; 16 million colours; 37 Lumens; 280 Lux at 2 m (spot lenses); linear colour temperature 3200°K ÷ 5500°K

MR16 LED RGB: 3 x 1W Luxeon LEDs (1 red, 1 green, 1 blue); 16 million colours; 84 Lumens; 615 Lux at 2 m (spot lenses); linear colour temperature 3200°K ÷ 5500°K

MR16 LED WHITE 3200°- 5500°K: (2 x white LEDs, 1 amber LED); 67 Lumens; 490 Lux at 2 m (spot lenses); linear colour temperature 3200°K ÷ 5500°K

MR16 LED WHITE 3200°K: 3 x white LEDs; 36 Lumens; 260 Lux at 2 m (spot lenses)

MR16 LED WHITE 5500°K: 3 x white LEDs; 125 Lumens; 910 Lux at 2 m (spot lenses)

MR16 LED WHITE 6800°K: 3 x white LEDs; 116 Lumens; 840 Lux at 2 m (spot lenses)

No infrared emission; no ultraviolet emission; LEDs average lifespan: 100.000 hours;

Optical units 3 lenses sets available (Spot, Medium flood, Wide flood)

Control Via any DMX lighting console (*)

Power supply Dedicated Z1 or Z4 power supply / LED controllers (*)

Connection Dedicated T-BOX RJ12 connection system (*)

* (MR16 LED FULL COLOUR, MR16 LED RGB and MR16 LED WHITE 3200°-5500°K)



The Lighting Company